



Product Specification Sheet

BuzziChip EU

— By BuzziSpace Studio

A playful acoustic powerhouse

BuzziChip's curved design helps you move away from hard edges while adding a playful touch to any area. Depending on the size, BuzziChip Light can be fitted with our integrated LED solutions: BuzziSol Solo, BuzziSol Trio and BuzziSol Quintet in either a Globe or Spot iteration. Combine the different models in various fabrics and colors to form a playful and dynamic ceiling in your office or residential space.



The Family

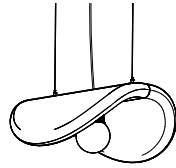
Models

BuzziChip Small

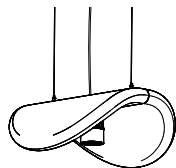
BuzziChip Medium

BuzziChip Large

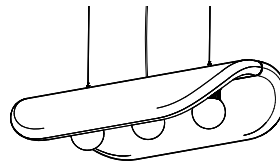
Sol Solo Globe



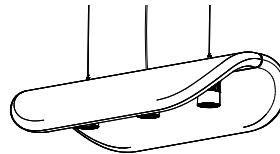
Sol Solo Spot



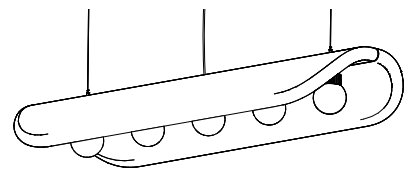
Sol Trio Globe



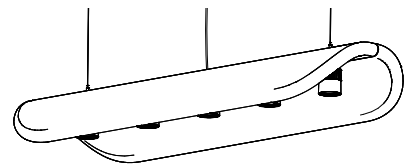
Sol Trio Spot



Sol Quintet Globe



Sol Quintet Spot



Lighting Units

Required order information

1. Size
2. Light Option
3. Fabric (CAT -> Collection -> Color)
4. Mounting Option

Lighting Data

Lighting Units

BuzziSol Globe



BuzziSol collection are suspended LED fixtures consisting of 1, 3 or 5 powder-coated black heatsinks with LED chip on board (COB) light sources.

The product can be finished with a frosted glass globe diffuser which spreads the light in a large beam angle of 170°, enlighting the surroundings or reflector spot adaptors directing the light with a beam angle of 38° downwards.

Spot



BuzziChip Small

Lighting Unit	Voltage	Wattage	Light Output Luminaire	Efficacy (Lm/W)	CRI	Dimming	Color Temperature	UGR	Standard (stock) On request (>LT)	Color Power Cable	Color Ceiling Canopy	Fabric Collection	Fabric Color	Mounting Option
Sol Solo Globe	220 - 240V	20W	1500 Lm	75	90	1-10V	3000K	23	Standard	Black	Black			
Sol Solo Globe	220 - 240V	20W	1500 Lm	75	90	DALI	3000K	23	On Request	Black	Black	Use color codes below	Use color codes below	2 cables of 2 m Alu or Black 2 cables of 5 m Alu or Black
Sol Solo Spot	220 - 240V	20W	1500 Lm	75	90	1-10V	3000K	12	Standard	Black	Black			
Sol Solo Spot	220 - 240V	20W	1500 Lm	75	90	DALI	3000K	12	On Request	Black	Black			

BuzziChip Medium

Lighting Unit	Voltage	Wattage	Light Output Luminaire	Efficacy (Lm/W)	CRI	Dimming	Color Temperature	UGR	Standard (stock) On request (>LT)	Color Power Cable	Color Ceiling Canopy	Fabric Collection	Fabric Color	Mounting Option
Sol Trio Globe	220 - 240V	60W	3 x 1500 Lm	92	90	1-10V	3000K	23	Standard	Black	Black	Use color codes below	Use color codes below	2 cables of 2 m Alu or Black 2 cables of 5 m Alu or Black
Sol Trio Spot	220 - 240V	60W	3 x 1500 Lm	92	90	1-10V	3000K	12	Standard	Black	Black			

BuzziChip Large

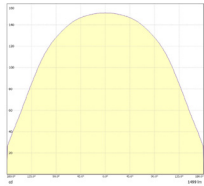
Lighting Unit	Voltage	Wattage	Light Output Luminaire	Efficacy (Lm/W)	CRI	Dimming	Color	UGR	Standard (stock) On request (>LT)	Color Power Cable	Color Ceiling Canopy	Fabric Collection	Fabric Color	Mounting Option
Sol Quintet Globe	220 - 240V	90W	5 x 1500 Lm	92	90	1-10V	3000K	23	Standard	Black	Black	Use color codes below	Use color codes below	2 cables of 2 m Alu or Black 2 cables of 5 m Alu or Black
Sol Quintet Spot	220 - 240V	90W	5 x 1500 Lm	92	90	1-10V	3000K	12	Standard	Black	Black			



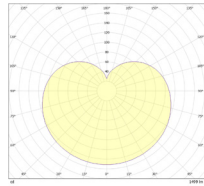
Photometric Data

BuzziChip Small BuzziSol Solo

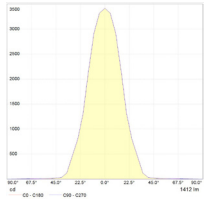
Sol Solo Globe Cartesian diagram



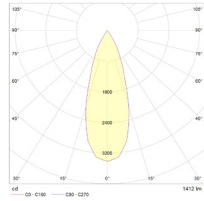
Sol Solo Globe Polar curve



Sol Solo Spot Cartesian diagram

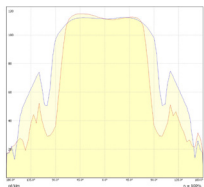


Sol Solo Spot Polar curve

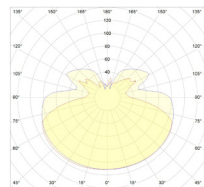


BuzziChip Medium BuzziSol Trio

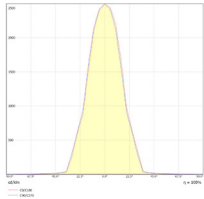
Sol Trio Globe Cartesian diagram



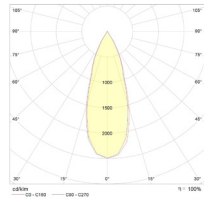
Sol Trio Globe Polar curve



Sol Trio Spot Cartesian diagram

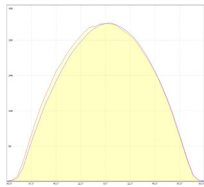


Sol Trio Spot Polar curve

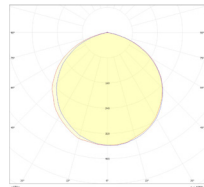


BuzziChip Large BuzziSol Quintet

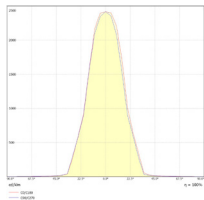
Sol Quintet Globe Cartesian diagram



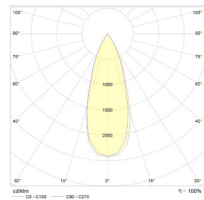
Sol Quintet Globe Polar curve



Sol Quintet Spot Cartesian diagram



Sol Quintet Spot Polar curve



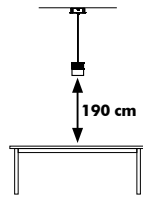
Tips and Tricks - Light Options

To enlighten your workplace with optimal lux levels take following measurements into account:

BuzziChip Small BuzziSol Solo

Solo Spot

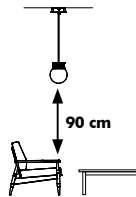
Office,
Meeting room



500 Lux

Solo Globe

Office,
Meeting room

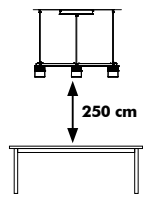


100 Lux

BuzziChip Medium BuzziSol Trio

Trio Spot

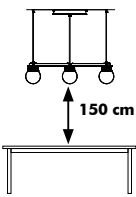
Office,
Meeting room



500 Lux

Trio Globe

Office,
Meeting room

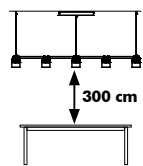


500 Lux

BuzziChip Large BuzziSol Quintet

Quintet Spot

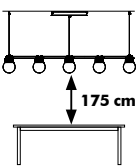
Office
Meeting room



500 Lux

Quintet Globe

Office,
Meeting room



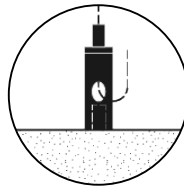
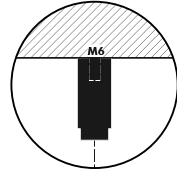
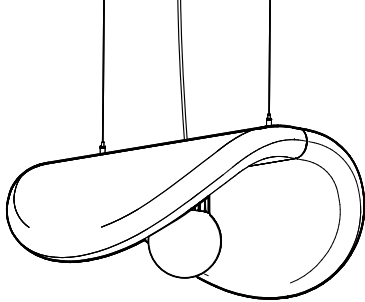
500 Lux

* According to EN12464

Product Data

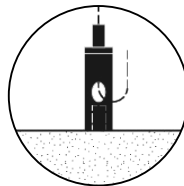
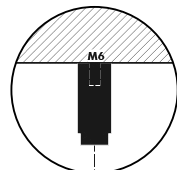
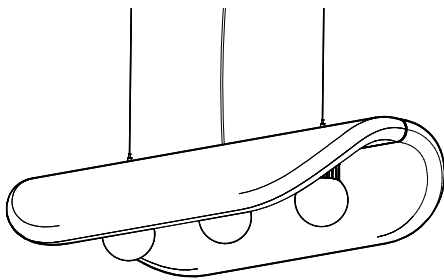
Fixing System

Fixing System Acoustic Panel



BuzziChip Small is suspended on 2 cables of 2 or 5 m black or alu colored cables, with fixing screw.

Fixing System Lighting



The light elements of BuzziChip Medium and BuzziChip Large are suspended independently from the acoustic panel with 2 cables of 2 – 5 m black or alu colored cables, with fixing system screw

⚠ If installing on suspended ceiling, verify load capacity prior to installation.

Acoustic Panel



The acoustic panel is upholstered front to back in a chosen fabric.



Absorption



Diffusion



Low tone



Mid tone

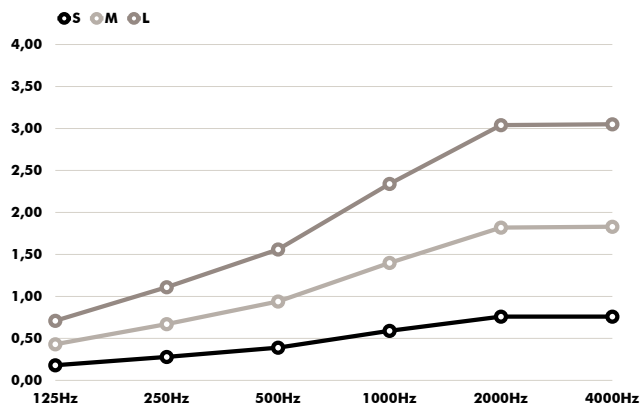


High tone

Acoustics Data

BuzziChip

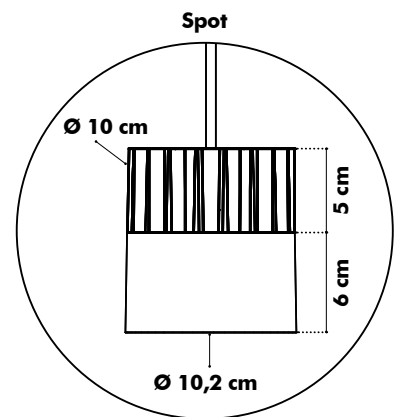
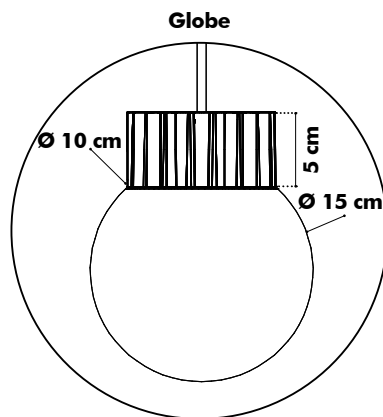
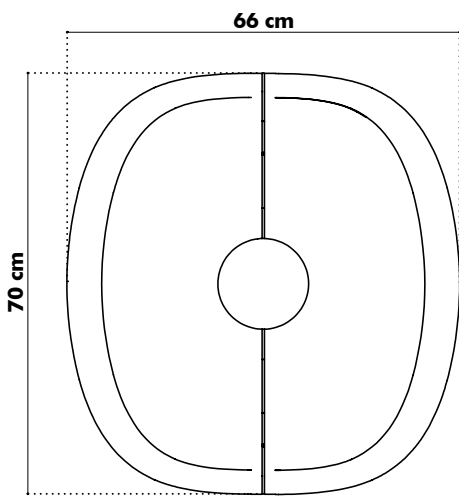
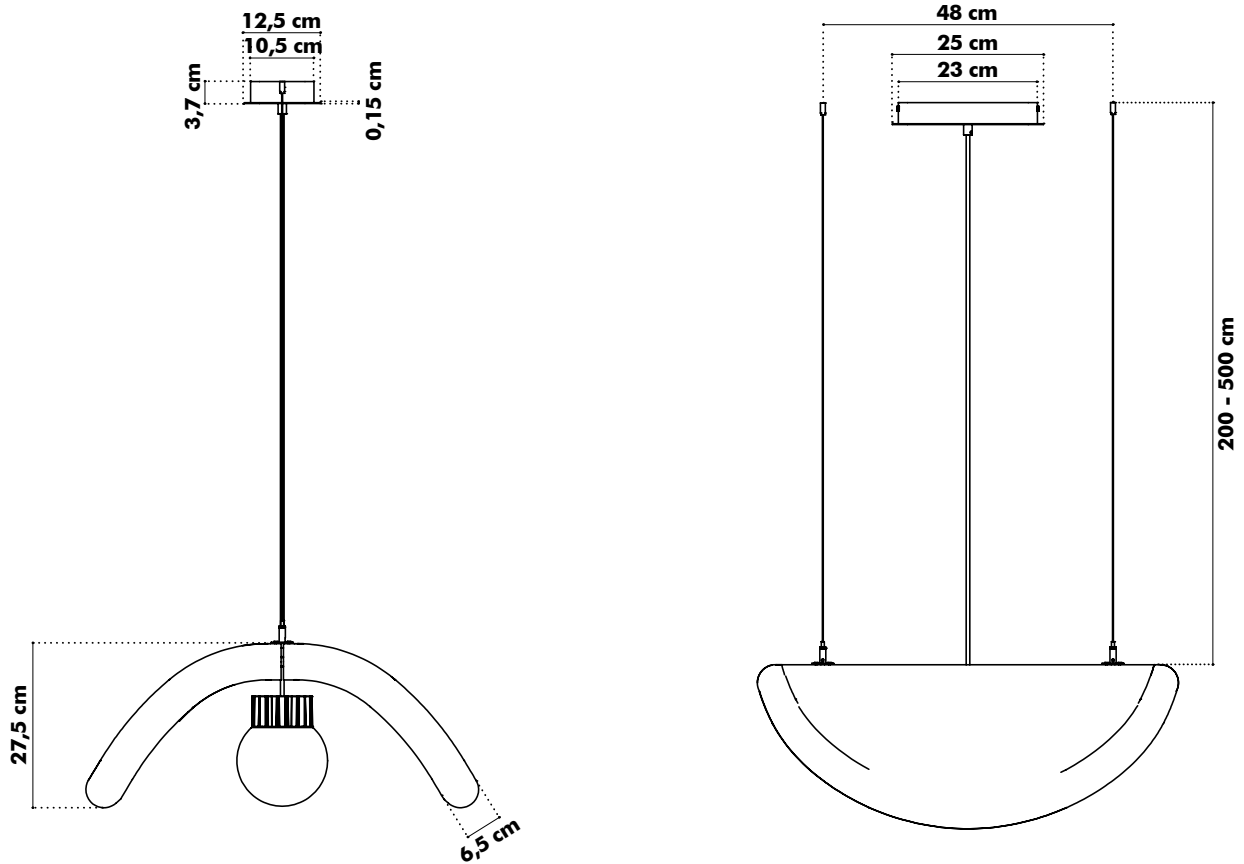
Equivalent sound absorption area in m² per object



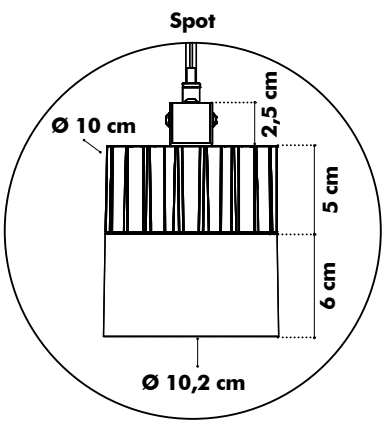
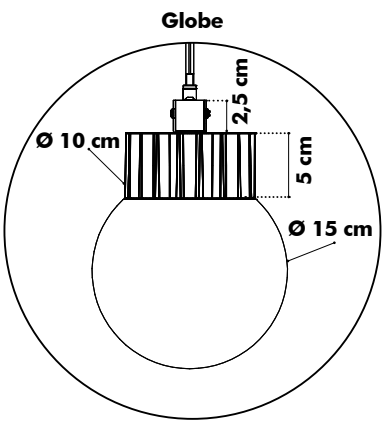
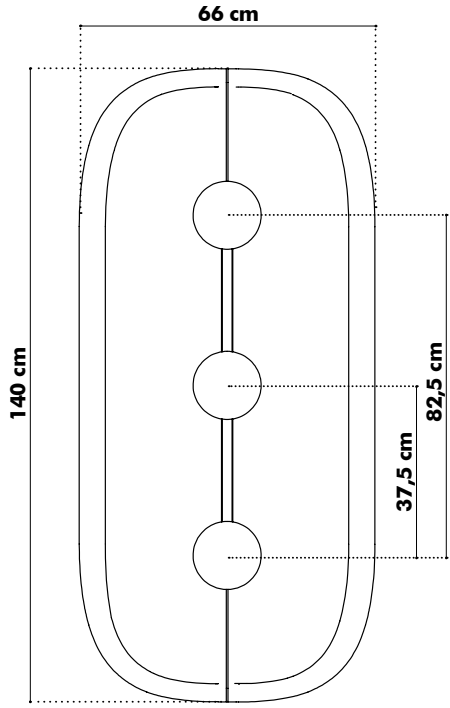
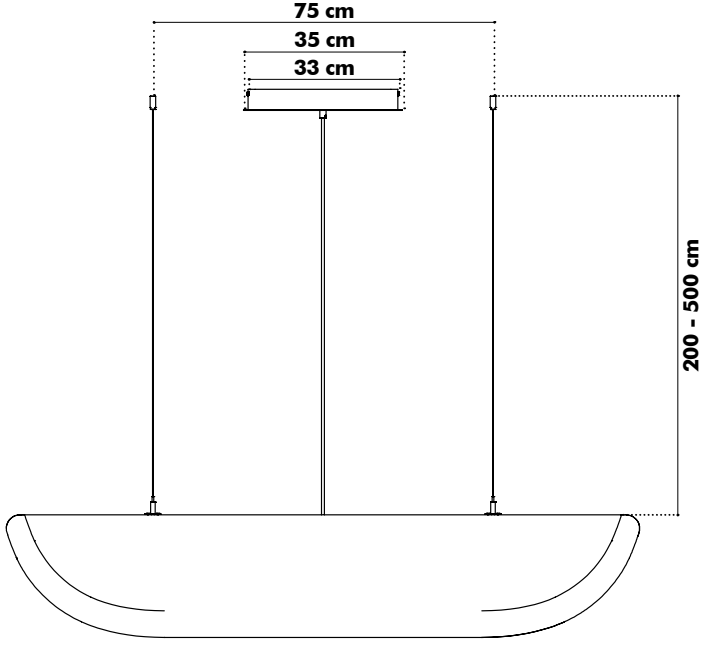
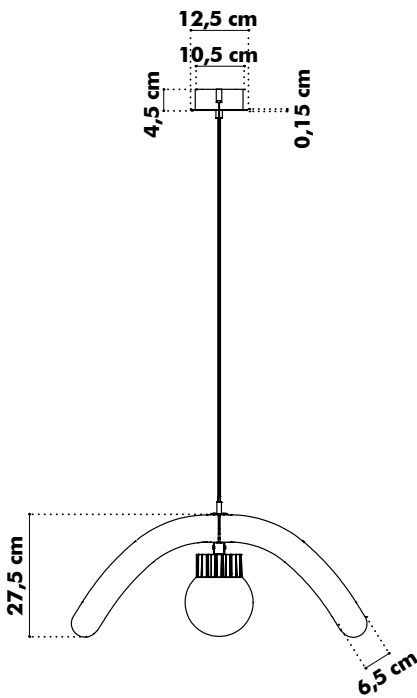
Hz	S Aeq/m ²	M Aeq/m ²	L Aeq/m ²
125	0.18	0.43	0.71
250	0.28	0.67	1.11
500	0.39	0.94	1.56
1000	0.59	1.4	2.34
2000	0.76	1.82	3.04
4000	0.76	1.83	3.05

Dimensions

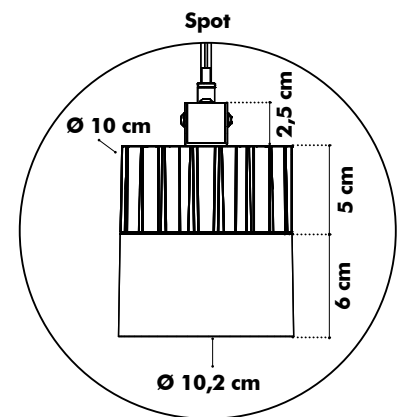
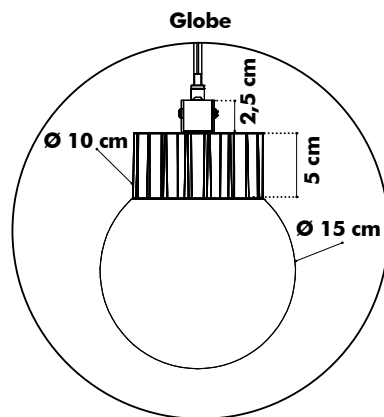
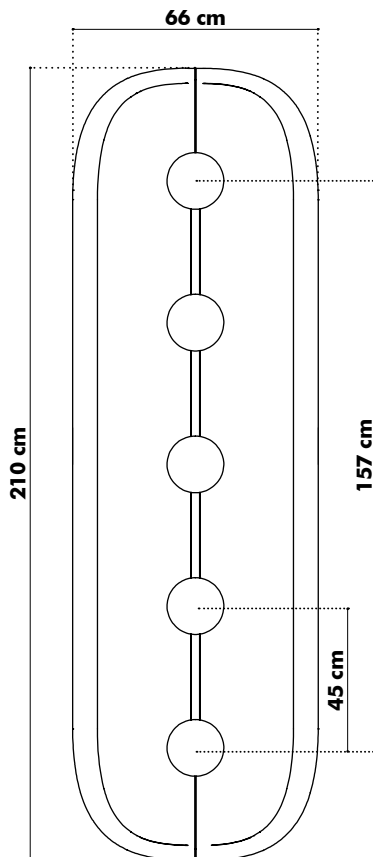
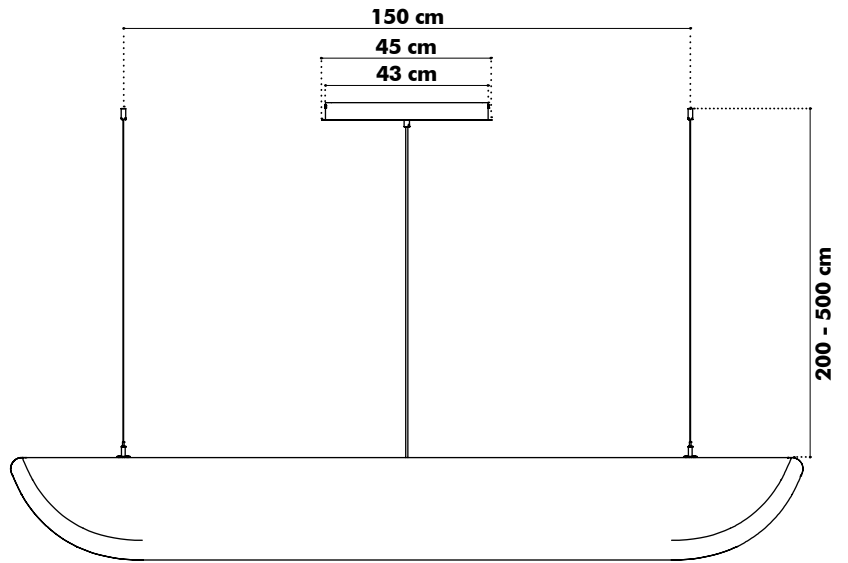
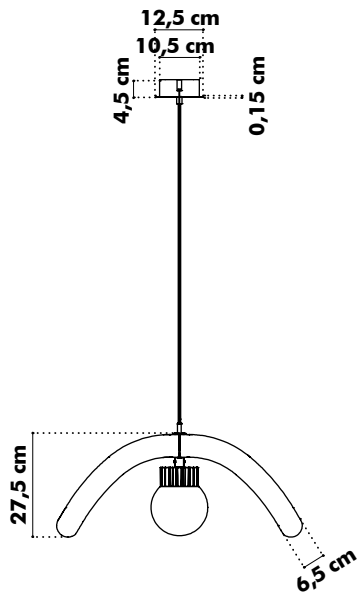
BuzziChip Small



BuzziChip Medium

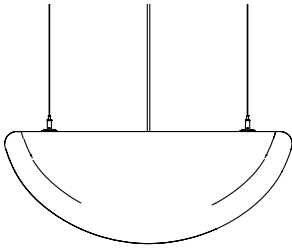


BuzziChip Large



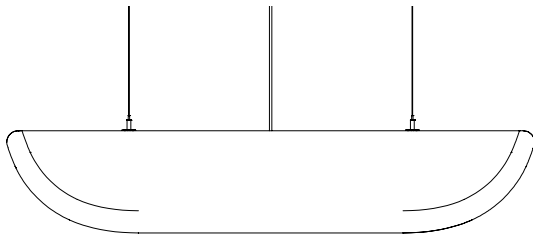
Weights

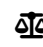
BuzziChip Small



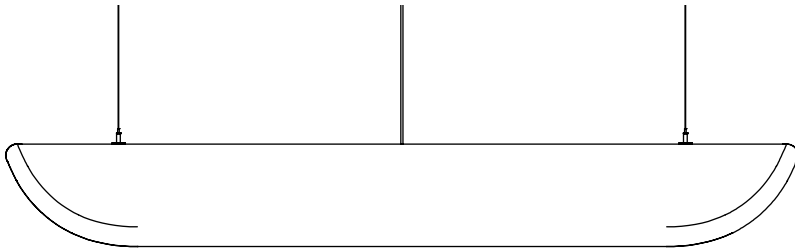
 6 kg


BuzziChip Medium



 12 kg

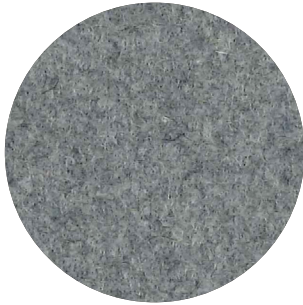
BuzziChip Large



 21,5 kg

Fabrics

Fabric (45 colors)



Category A

Composition 70% Recycled Wool, 25% Recycled Polyacryl,
5% Recycled Other Fabrics

Weight 405 g/m² | 11.94 oz/yd²

Abrasion resistance 40.000 Martindale, 50,000 Wyzenbeek

Flammability EU: EN 1021.1/2006 | BS EN 1021.1/2006 (cigarette).
EN 1021.2/2006 | BS EN 1021.2/2006 (match)
USA: CAL TB 117 | ASTM E84 CLASS A

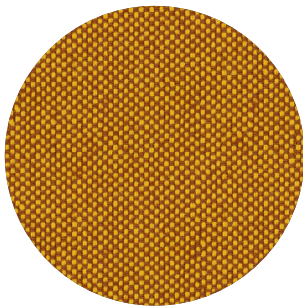
Fastness to light EU: 4 | USA 4

Fastness to rubbing EU: Wet 3-4 | Dry 4-5

Fastness to crocking USA: Wet 5 | Dry 5



Trevira CS+ | CS (47 colors)



Category A

Weight 420 g/m² | 12.39 oz/yd²

Composition 100% Polyester, Trevira CS

Abrasion resistance 100.000 Martindale, 90,000 Wyzenbeek

Flammability BS 5852 part II: CRIB 5 | BS 7176 Medium Hazard
USA: CAL TB 117 | M1 | B1 | EN 1021/1-2 | C1 |
IMO Res. A652 (16)

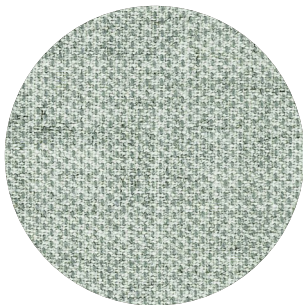
Fastness to light EU: 6 | USA 5

Fastness to rubbing EU: Wet 4-5 | Dry 4-5

Fastness to crocking USA: Wet 5 | Dry 5



Clara 2 (24 colors)



Category B

Composition 92% new wool, 8% nylon

Weight 400 g/lin.m

Abrasion resistance 80.000 Martindale rubs, EN ISO 12947

Flammability EN 1021-1/2 | BS 5852, ignition source 2-3 | DIN 4102 B2
NF D 60 013 | UNI 9175 1IM | US Cal. Tech. Bull. 117, Sec. E
NFPA 260 | IMO A.652(16)

Fastness to light Note 5-7, ISO 105-B02

Fastness to rubbing (ISO) dry 4-5, wet 4

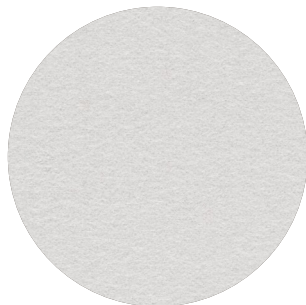
Pilling Note 4, EN ISO 12945



kvadrat

Hero 2 (33 colors)

kvadrat



Category C

Composition 97% new wool, 3% nylon

Weight 580 g/lin.m

Abrasion resistance 45.000 Martindale rubs, EN ISO 12947

Flammability EN 1021-1/2 | DIN 4102 B2 | NF D 60 013
UNI 9175 1IM | US Cal. Bull. 117-2013 | NFPA 260
IMO A.652 (16)

Fastness to light Note 5-6, ISO 105-B02

Fastness to rubbing (ISO) dry 4-5, wet 4-5

Pilling Note 3-4, EN ISO 12945



Tonus 4 (47 colors)

kvadrat



Category D

Composition 90% new wool, 10% Helanca

Weight 665 g/lin.m

Abrasion resistance 100.000 Martindale rubs, EN ISO 12947

Flammability EN 1021-1/2 | BS 5852 part 1 | DIN 4102 B2
Önorm B1/Q1 | NF D 60 013 | UNI 9175 1IM
US Cal. Bull. 117-2013 | NFPA 260 | IMO A.652 (16)

Fastness to light Note 5-7, ISO 105-B02

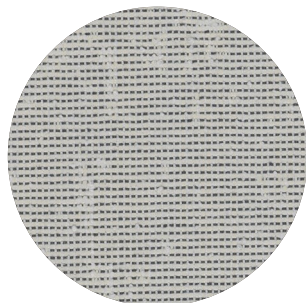
Fastness to rubbing (ISO) dry 3-5, wet 3-5

Pilling Note 3, EN ISO 12945



Memory 2 (20 colors)

kvadrat



Category E

Composition 100% Trevira CS

Weight 700 g/lin.m

Abrasion resistance

35.000 rubs acc. to the Martindale method, EN ISO 12947

Flammability EN 1021-1/2 | DIN 4102 B1 | Önorm B1/Q1
NF D 60 013 | NF P 92 507 M1 | UNI 9175 1IM
UNI 9177 classe 1 | US Cal. Tech. Bull. 117
IMO A.652 (16)

Fastness to light Note 5-8, ISO 105-B02

Fastness to rubbing (ISO) dry 4-5, wet 4-5

Pilling Note 4, EN ISO 12945

